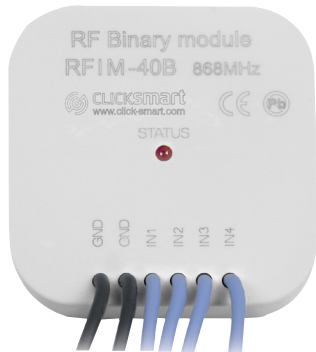


RFIM-40B - Universal Input Smart Switch

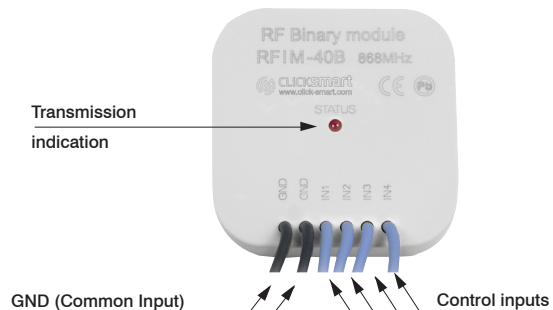


- The Universal Input Smart Switch is easily wired in either of the following switch arrangements to match existing wiring accessory designs:
 - a. Up to four standard 1 way or 2 way retractive switches
 - b. Up to two 3 position retractive switches with centre off.
- 4 inputs, one available for each control button and two input common wires (GND)
- The module can be mounted behind the switch plate. The depth of back box required will depend on the type of mounting plate used. Alternatively the module can be located up to 5 metres away from the switch.
- The Universal Input Smart Switch is programmed via the receiver
- The RFIM-40B transmitter can simultaneously operate unlimited numbers of assigned receivers, which are within the range of transmitting signal
- The RF signal is transmitted by wireless communication between system units
- The range of the RF signal is dependent on building construction, applied materials and location of the unit
- No mains supply required, powered by battery (2 x CR 2032)
- The battery life is approximately 3 to 5 years (depending on frequency of use)

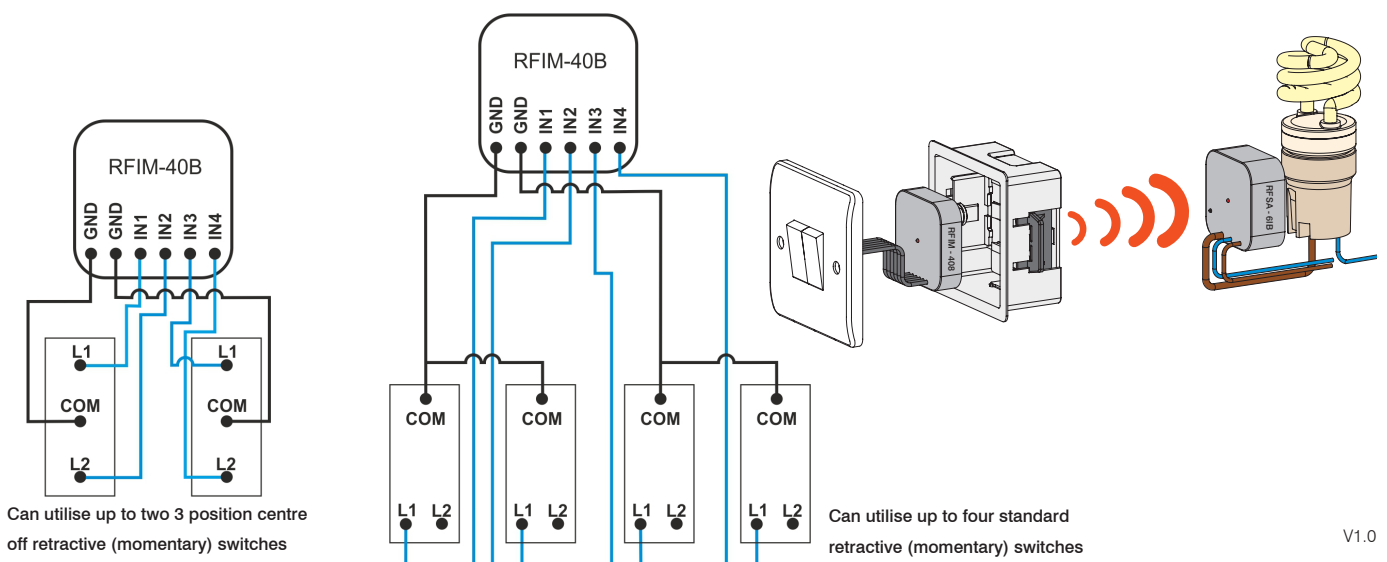
Technical Details

Supply voltage:	2 x 3V battery CR 2032
Battery life, approx.:	3 to 5 years, according to frequency of use
Indication/function:	Red LED
Number of inputs:	4
Transmission frequency:	868 MHz
Means of signal transmission:	Unidirectionally addressed message
Range in open space:	Up to 200 M/
Other data	
Operational temperature:	-10 °C to +50 °C (14 °F to 122°F)
Operational position:	Any
Output leads (wire CY, profile):	6 x 0.75 mm ²
Length of leads:	90 mm (3.5")
Cond. resistance between term.:	
- for closed contact:	< 300 Ω
- for opened contact brake:	> 10 kΩ
Mounting:	Loose on connecting wires
Protection degree:	IP30
Pollution degree:	2
Dimensions:	49 x 49 x 13 mm
Weight:	50 g
Voltage of opened contact:	3V
Contact cable length:	Max. 5 M
Applicable standards:	EN 60669, EN 300 220, EN 301 489 Directive RTTE, NV No.426/2000Sb (Directive 1999/ES)
Warranty:	12 Months

Device description



Wiring



V1.0